

# General Liquid Filled Pressure Gauges(235P Series)

## Applications

- Shock & vibration application
- Non-corrosive gas, air, oil and water
- Hydraulic systems & machine tools
- Petrochemical processing equipment
- Pumps, compressors and regulators
- Media not attack to phosphor bronze

## Working Pressure

Steady : 3/4 of full scale value(recommendation : 25% to 75% of full scale)

Fluctuating : 2/3 of full scale value(recommendation : lower 50% of full scale)

Short time : full scale value

## Operating Temperature

Ambient : -40 ~ 60°C

Media(Fluid) : -5 ~ 60°C



## Standard Specification Overview

### Dial Size

60mm(2.5") & 100mm(4")

### Reference Accuracy

60mm & 100mm ± 1.5% of Full Scale

### Scale Ranges \*

60mm & 100mm Vacuum, Compound & 0 ~ 0.1 to 0 ~ 100 MPa

\* For more information, see the ordering information table.

### Pressure Connection

60mm PT("R" in ISO) 1/4"

100mm PT("R" in ISO) 3/8"

\* Throttling screw inserted in the pressure port.

### Material

Case : 304 SS

Ring(Cover) : 304 SS

Window : Polycarbonated Glass

Pointer : Aluminum Alloy, Black Painted

Connection : Plated Brass

Element : Phosphor Bronze

Movement : Phosphor Bronze

Dial Plate : White Aluminum with Black Graduations

Liquid Filled : Glycerine

### Ring Type

Crimped

### Degree of Protection

IP 65

### Optional Extra

Code T1 : Test Report by Manufacturer

Code T2 : Test Report by KOLAS(ILAC-MRA)

## Special Notes

1. This series has been approved by **KS B 5305**(Korean Standard).

## Ordering Information for 235P Series

Model	Description	Case & Ring	Wetted Parts	
235P	General Liquid Filled Pressure Gauges	304 SS	Phosphor Bronze	
Code	Dial Size	Accuracy	235P	
25	60mm(2.5")	± 1.5% of F.S.	■	
40	100mm(4")	± 1.5% of F.S.	■	
Code	Mounting Type		25	40
A	Bottom Connection without Mounting Flange		■	■
B	Bottom Connection with Back Mounting Flange		☎	☎
D	Center Back Connection without Mounting Flange		☎	☎
L	Lower Back Connection without Mounting Flange		☎	☎
F	Center Back Connection with 3-hole Front Mounting Flange		☎	☎
J	Lower Back Connection with 3-hole Front Mounting Flange		☎	☎
Code	Process Connection Style		25	40
2	PT("R" in ISO Standard)		■	■
3	PF("G" in ISO Standard)		★	★
4	NPT		★	★
X <sup>(1)</sup>	Others		☎	☎
Code	Process Connection Size		25	40
C	1/4"		■	NA
D	3/8"		NA	■
F	1/2"		NA	★ <sup>(1)</sup>
Code	Pressure Range		25	40
001	-0.1 ~ 0 MPa		■	■
002	-0.1 ~ 0.1 MPa		■	■
003	-0.1 ~ 0.2 MPa		■	■
004	-0.1 ~ 0.3 MPa		■	■
005	-0.1 ~ 0.4 MPa		■	■
006	-0.1 ~ 0.6 MPa		■	■
007	-0.1 ~ 1.0 MPa		■	■
008	-0.1 ~ 1.5 MPa		■	■
009	-0.1 ~ 2.0 MPa		■	■
112	0 ~ 0.1 MPa		■	■
113	0 ~ 0.2 MPa		■	■
114	0 ~ 0.3 MPa		■	■
115	0 ~ 0.4 MPa		■	■
116	0 ~ 0.6 MPa		■	■
118	0 ~ 1 MPa		■	■
119	0 ~ 1.5 MPa		■	■
120	0 ~ 2 MPa		■	■
121	0 ~ 2.5 MPa		■	■
122	0 ~ 3.5 MPa		■	■
124	0 ~ 5 MPa		■	■
126	0 ~ 7 MPa		■	■
127	0 ~ 10 MPa		■	■

128	0 ~ 15 MPa	■	■
129	0 ~ 25 MPa	■	■
130	0 ~ 35 MPa	■	■
132	0 ~ 50 MPa	■	■
134	0 ~ 70 MPa	★	★
135	0 ~ 100 MPa	★	★

\* MPa(SI Unit) is the standard dial scale but others are available upon request.

Code	Applicable Accessory Options
------	------------------------------

J0 Not Apply

Code	Options	15	20	25	40
------	---------	----	----	----	----

Test Reports

T1	Test Report by Manufacturer	★	★	★	★
T2	Test Report by KOLAS(ILAC-MRA)	★	★	★	★

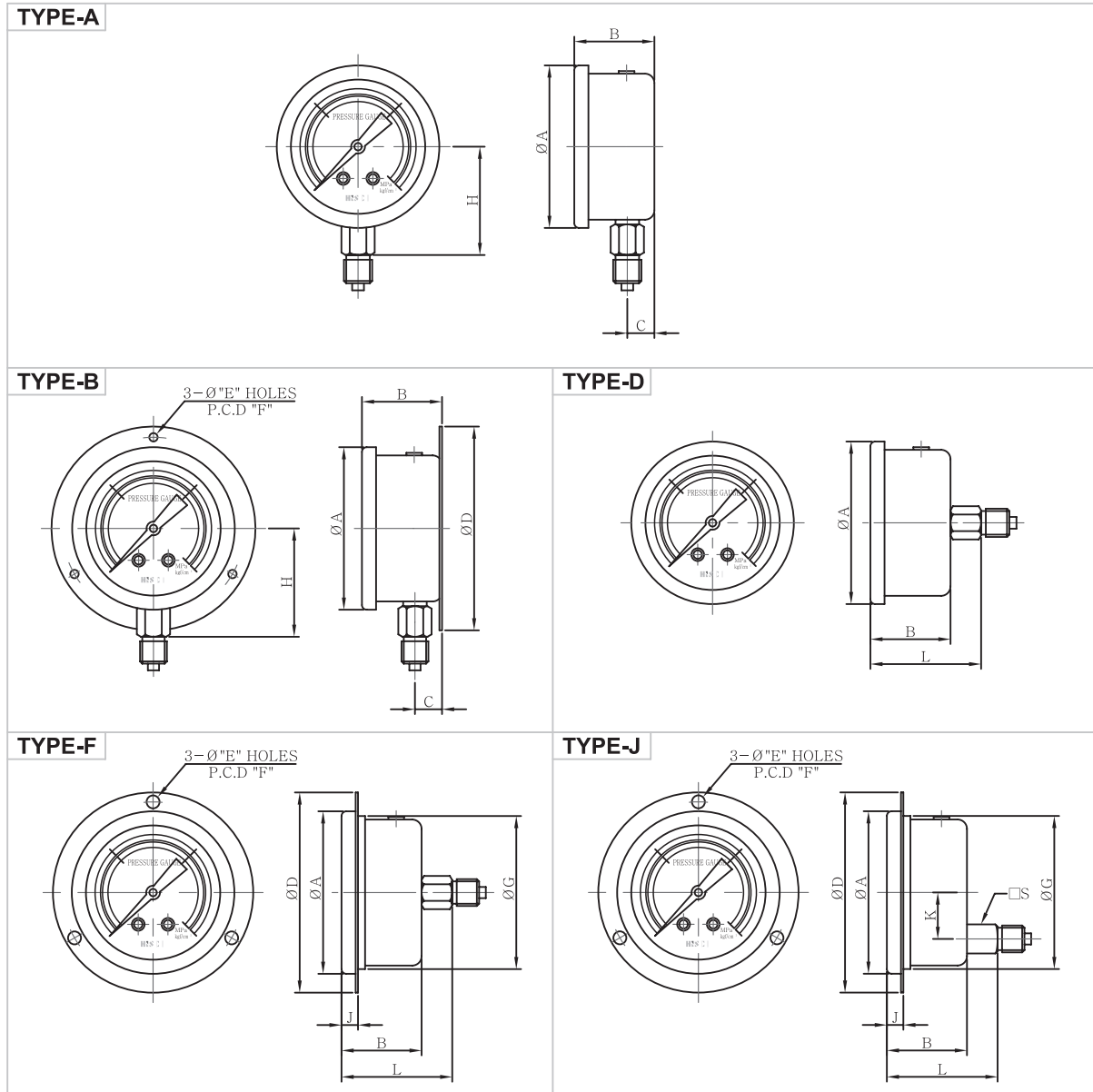
Sample Model Selection : 235P25A2C121J0T1

Note 1. Other connection styles are available on request.

■ = Standard Products    ★ = Available    NA = Not Available

\*The standard specification and price are subject to change without prior notice.

## ■ General Liquid Filled Pressure Gauges(235P Series)



Code	Dial Size	(Available Type)	A	B	C	D	E	F	G	H	L	J
25	ø60	A,B(D,F)	69	32(34)	10	85	4.5(4.3)	78(77)	65	45	48	7
40	ø100	A,B(D,F,J)	110	38	11		5.5	114(124)	103	69	52	7