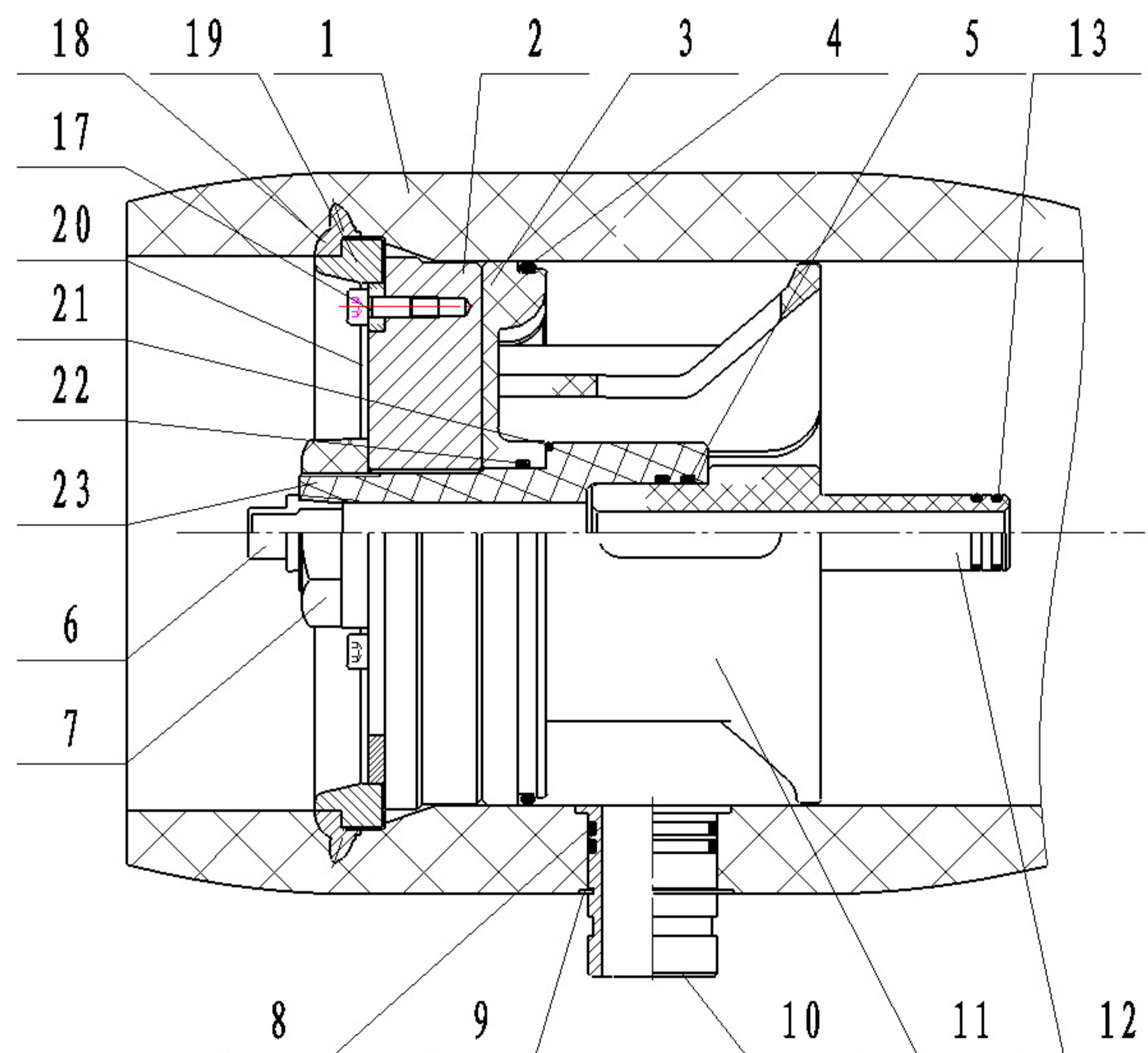


Ref.	Part Number	Description	Qty.	Material
1	8005.1-7	Pressure Shell	1	Epoxy FRP
2	8009	Bearing Plate	2	Aluminum alloy 6061-T6
3	8010.2	Sealing Plate (Without permeate port)	2	ABS
4	8038	O-Ring	2	EPDM
5	8040	O-Ring	4	EPDM
6	8013	Plug	1	ABS
7	8014.1	Permeate Port Locknut	2	ABS
8	80411	O-Ring	4	EPDM
9	80051	Retaining Ring	2	304SST
10	8018.1	1.5" Feed/Conc. Port	2-4	2205SST
11	8022.3	Thrust Ring	1	ABS
12	8026	Adapter	2	ABS
13	8043	O-Ring	4	EPDM
14	8027.3	Strap	2-3	304SST
15	8029	Strap Screw	4-6	304SST
16	8032	Saddle	2-3	NR
17	8036	Securing Ring Screw	6	304SST
18	8034	Locking Kit Segment	6	Aluminum alloy
19	8097	Embedded Ring	2	316SST
20	8035	Securing Ring	2	Aluminum alloy
21	8062.1	O-Ring	2	EPDM
22	8058	O-Ring	2	EPDM
23	8064.3	Permeate Port	2	ABS



**WARNING:**

1. UNIT OF MEASURE INCHES/MM.
2. DRAWING DIMENSIONS ARE FOR REFERENCE ONLY.
3. PRECAUTIONS, USAGE GUIDELINES, AND USER GUIDE INTEGRAL TO DRAWING.
4. SUBJECT TO CHANGE WITHOUT NOTICE.
5. INTERNAL PERMEATE PRESSURE NOT TO EXCEED 125PSI (0.88Mpa).

Shell length code	Shell number	L L. O. A IN/MM	P Port to port IN/MM	S Span IN/MM	Approx assembly weight LB/KG
1	8005.1	60.4/1534	45/1143	28/700	110.3/49
2	8005.2	100.4/2550	85/2159	57/1455	144/64
3	8005.3	140.4/3566	125/3175	81/2064	177.8/79
4	8005.4	180.4/4582	165/4191	63/1600 x2	211.5/94
5	8005.5	220.4/5598	205/5207	79/2000 x2	245.3/109
6	8005.6	260.4/6614	245/6223	93/2358 x2	279/124
7	8005.7	300.4/7630	285/7239	113/2865 x2	312.8/139



**HARBIN ROPV**  
INDUSTRY DEVELOPMENT CENTER

ENGR	JINGBO AN 2005/6/15	MODEL	R80B 600S
QLTY	QIYUAN WANG 2005/6/16	DRG	R80B60S-00
MAKT	YOUQING LI 2005/6/16	REV	A