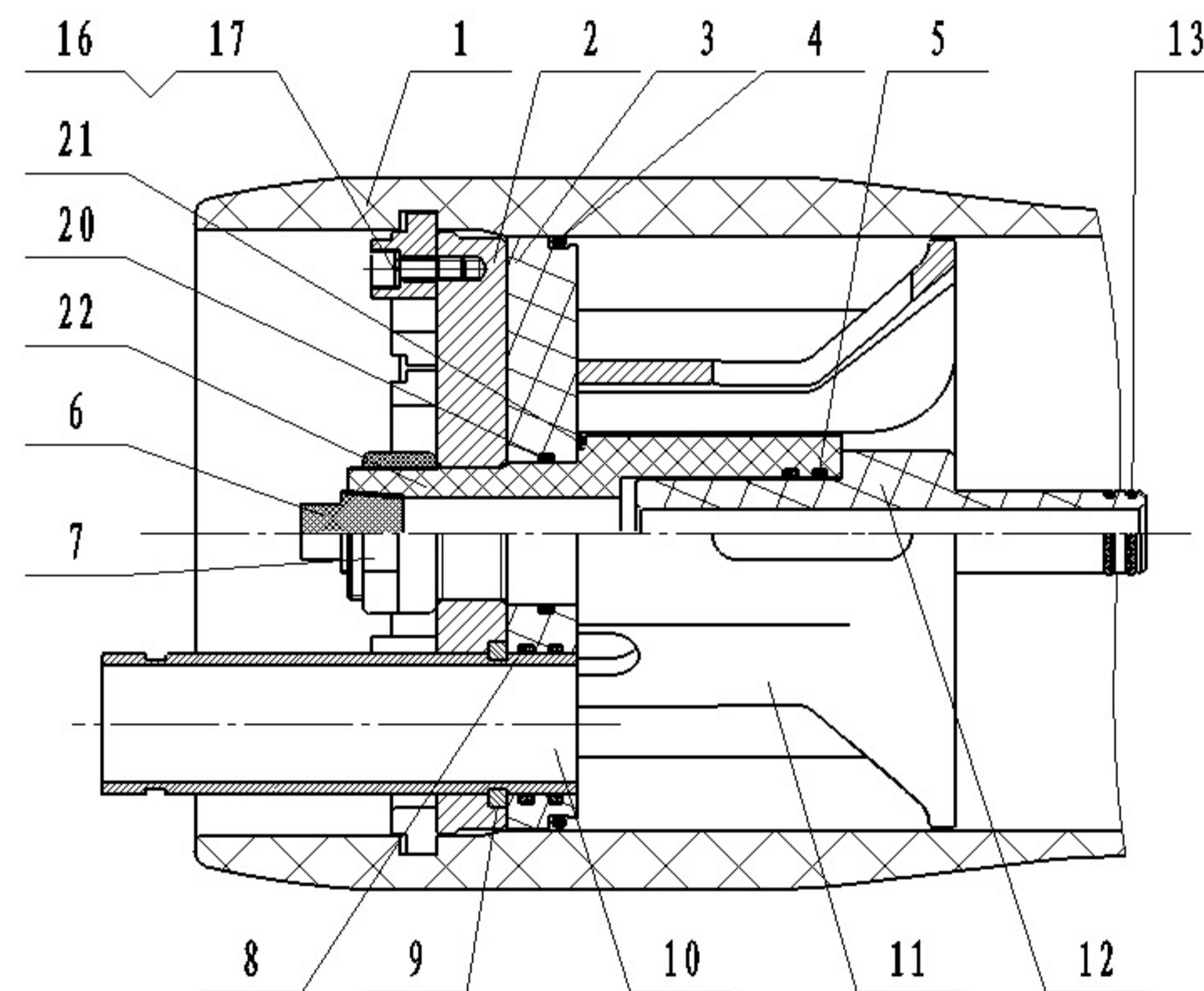


**WARNING:**

1. UNIT OF MEASURE INCHES/MM.
2. DRAWING DIMENSIONS ARE FOR REFERENCE ONLY.
3. PRECAUTIONS, USEAGE GUIDLINES, AND USER GUIDE INTEGRAL TO DRAWING.
4. SUBJECT TO CHANGE WITHOUT NOTICE.
5. INTERNAL PERMEATE PRESSURE NOT TO EXCEED 125PSI (0.88Mpa).

Ref.	Part Number	Description	Qty.	Material
1	8046.1-7	Pressure Shell	1	Epoxy FRP
2	80510	Bearing Plate	2	Aluminum alloy 6061-T6
3	8053	Sealing Plate	2	PVC/ABS
4	8037	O-Ring	2	EPDM
5	8040	O-Ring	4	EPDM
6	8013	Plug	1	ABS
7	8014.1	Permeate Port Locknut	2	ABS
8	8058	O-Ring	4	EPDM
9	8055	Feed/Conc. Port Fixture	4	304SST
10	8057	Feed/Conc. Port	2	316SST
11	8022.1	Thrust Ring	1	ABS
12	8025	Adapter	2	ABS
13	8043	O-Ring	4	EPDM
14	8027	Strap	2-3	304SST
15	8029	Strap Screw	4-6	304SST
16	8031	Screw Spring	6	304SST
17	8030	Locking Segment Screw	6	304SST
18	8032	Saddle	2-3	NR
19	8033	Locking Kit Segment	6	304SST
20	8058	O-Ring	2	EPDM
21	8062.1	O-Ring	2	EPDM
22	8064.1	Permeate Port	2	ABS



Shell length code	Shell number	L L. O. A IN/MM	S Span IN/MM	Approx assembly weight LB/KG
1	8046.1	60.4/1534	28/700	88.9/39.5
2	8046.2	100.4/2550	57/1455	106.9/47.5
3	8046.3	140.4/3566	81/2064	124.9/55.5
4	8046.4	180.4/4582	63/1600 x2	142.9/63.5
5	8046.5	220.4/5598	79/2000 x2	160.9/71.5
6	8046.6	260.4/6614	93/2358 x2	178.9/79.5
7	8046.7	300.4/7630	113/2865 x2	196.9/87.5



**HARBIN ROPV**  
INDUSTRY DEVELOPMENT CENTER

ENGR	JINGBO AN 2005/6/15	MODEL	R80B 300E	
QLTY	QIYUAN WANG 2005/6/16	DRG	R80B30E-00	REV
MAKT	YOUQING LI 2005/6/16			A