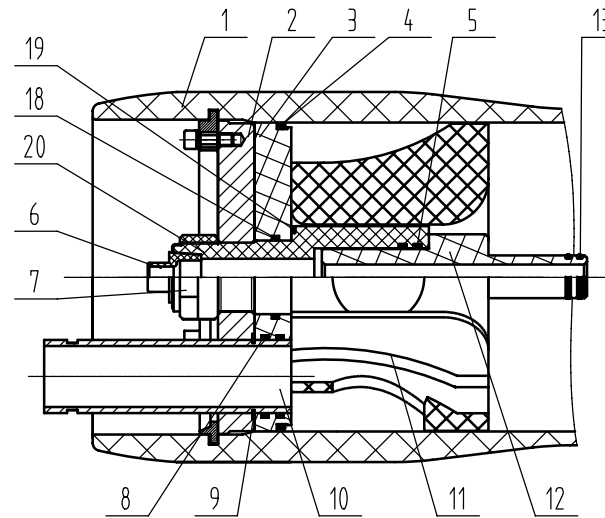


- 1 DESIGN PRESSURE 300PSI(2.1MPa).
- 2 DESIGN TEMPERATURE 150°F(66°C).
- 3 MIN ALLOWABLE TEMPERATURE 20°F(-7°C).
- 4 WORKING MEDIUM,WATER pH RANGE 3~11.
- 5 DIMENSIONS IN MM(INCHES APPROX).
- 6 INTERNAL PERMEATE PRESSURE NOT TO EXCEED 125PSI(0.88Mpa).
- 7 ITEM 11 CONCENTRATE SIDE ONLY.
- 8 ITEM 21 FEED SIDE ONLY.
- 9 PLEASE OPERATE IN ACCORDANCE WITH USER MANUAL.
- 10 FOR REFERENCE ONLY,NOT FOR CONSTRUCTION UNLESS CERTIFIED.
- 11 SPARE PARTS FORM JUST FOR REFERENCE,SPECIFIC FORM OF THE SPARE PART DRAWING PREVAIL,SUBJECT TO CHANGE WITHOUT NOTICE.
- 12 ALL PARTS CAN BE RECYCLED EXCEPT FRP SHELL.

21	A8023.1	Shim	0~3	Engineering Thermoplastic	
20	A8022.1	Permeate Port	2	Engineering Thermoplastic.304SS Ring	
19	58x2.65G GB/T3452.1	O-Ring	2	EPDM	
18	47.5x3.55G GB/T3452.1	O-Ring	2	EPDM	
17	A8018.4	Locking Kit Segment Assy	6	304SS including Screw and Pad	
16	A8016	Saddle	2~3	Rubber	
15	GB/T 5780 M8x90	Strap Screw	4~6	304SS	
14	A8014.1	Strap	2~3	304SS-Brass and Rubber	
13	23.6x2.65G GB/T3452.1	O-Ring	4	EPDM	
12	A8012.1	Adapter	2	Engineering Thermoplastic	
11	A8011.2	Thrust Ring	1	Engineering Thermoplastic	
10	E8030D	Feed/Conc. Port	2	316LSS	
09	A8009.1	Retaining Ring	2	304SS	
08	47.5x3.55G GB/T3452.1	O-Ring	4	EPDM	
07	A8007	Permeate Port Locknut	2	Engineering Thermoplastic	
06	A8006	Plug	1	Engineering Thermoplastic	
05	36.5x3.55G GB/T3452.1	O-Ring	4	EPDM	
04	190x5.3G GB/T3452.1	O-Ring	2	EPDM	
03	A8003.1	Sealing Plate	2	Engineering Thermoplastic	
02	A8002.1	bearing Plate	2	Aluminium Alloy-Hard anodized	
01	E8012.1-8	Pressure Shell	1	FRP	
REF	PART NUMBER	DESCRIPTION	QTY	MATERIAL	NOTE



Shell Length Code	Shell Number	L L.O.A (MM/IN)	S Span (MM/IN)	Approx assembly weight (KG/LB)
1	E8012.1	1534/60.4	500/19.7	28/63
2	E8012.2	2550/100.4	1455/57.3	35/79
3	E8012.3	3566/140.4	2064/81.3	42/95
4	E8012.4	4582/180.4	1600/63.0x2	49/110
5	E8012.5	5598/220.4	2000/78.7x2	56/126
6	E8012.6	6614/260.4	2358/92.8x2	63/142
7	E8012.7	7630/300.4	2865/112.8x2	70/158
8	E8012.8	8646/340.4	3373/132.8x2	77/173

<b>ROPV</b>	DESIGN	<b>Harbin ROPV Industry Development Center</b>	
	REVIEW	MODEL	R8040B300E PRESSURE VESSEL
	APPROVAL	DRG	R8040B300E-00
		REV	10.2.3