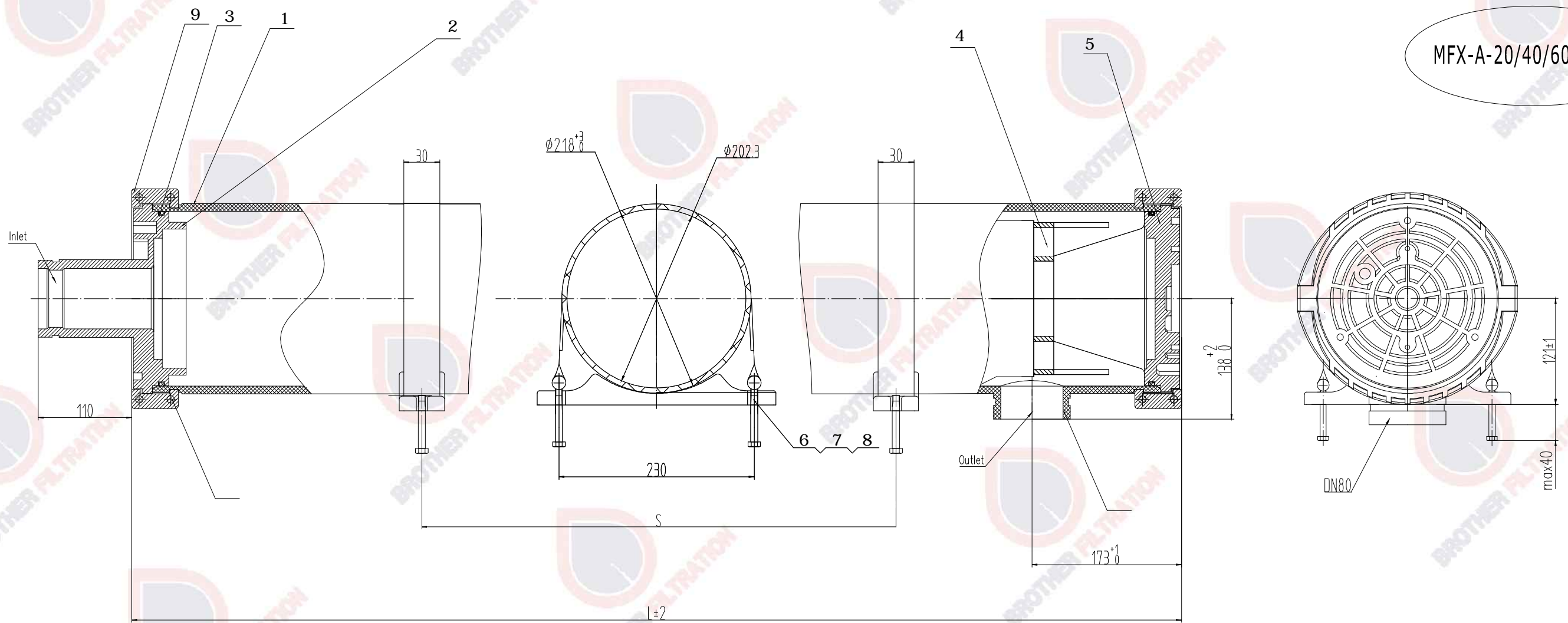


MFX-A-20/40/60-S-10-N



Length	Item NO.	L(mm)	S(mm)	Weight(Kg)
20"	MFX-A-20-S-10-N	678	160	8
40"	MFX-A-40-S-10-N	1226	610	14
60"	MFX-A-60-S-10-N	1734	1060	18

Note:

1. Design pressure: 1.0MPa(10bar)
2. Design temperature: 150° F(66° C)
3. Minimum temperature: 14° F(-10° C)
4. pH range: 3-11

11	Side Port	MFX-A-11	1	FRP	
10	Bolt	MFX-A-10	8	304 SUS	M8x45
9	Clamp	MFX-A-9	4	Plastic	
8	Saddle	MFX-A-8	2	Rubber	
7	Strap Screw	MFX-A-7	4	304 SUS	M8x90
6	Strap	MFX-A-6	2	304 SUS+Rubber	
5	End Cap	MFX-A-5	1	ABS	
4	Thrust Ring	MFX-A-4	1	ABS	
3	Seal O-Ring	MFX-A-3	2	EPDM	190x5.3
2	Inlet End Cap	MFX-A-2	1	ABS	
1	Vessel Shell		1	Epoxy FRP	White Coating
NO.	DESCRIPTION	CODE	QTY	MATERIAL	REMARKS

Brother Filtration

Design Date	Model	FRP-X-High Flow Cartridge Housing		
Review Date	DRG	MFX-A-20/40/60-S-10-N		
Approval Date	Unit	mm	REV.	2021