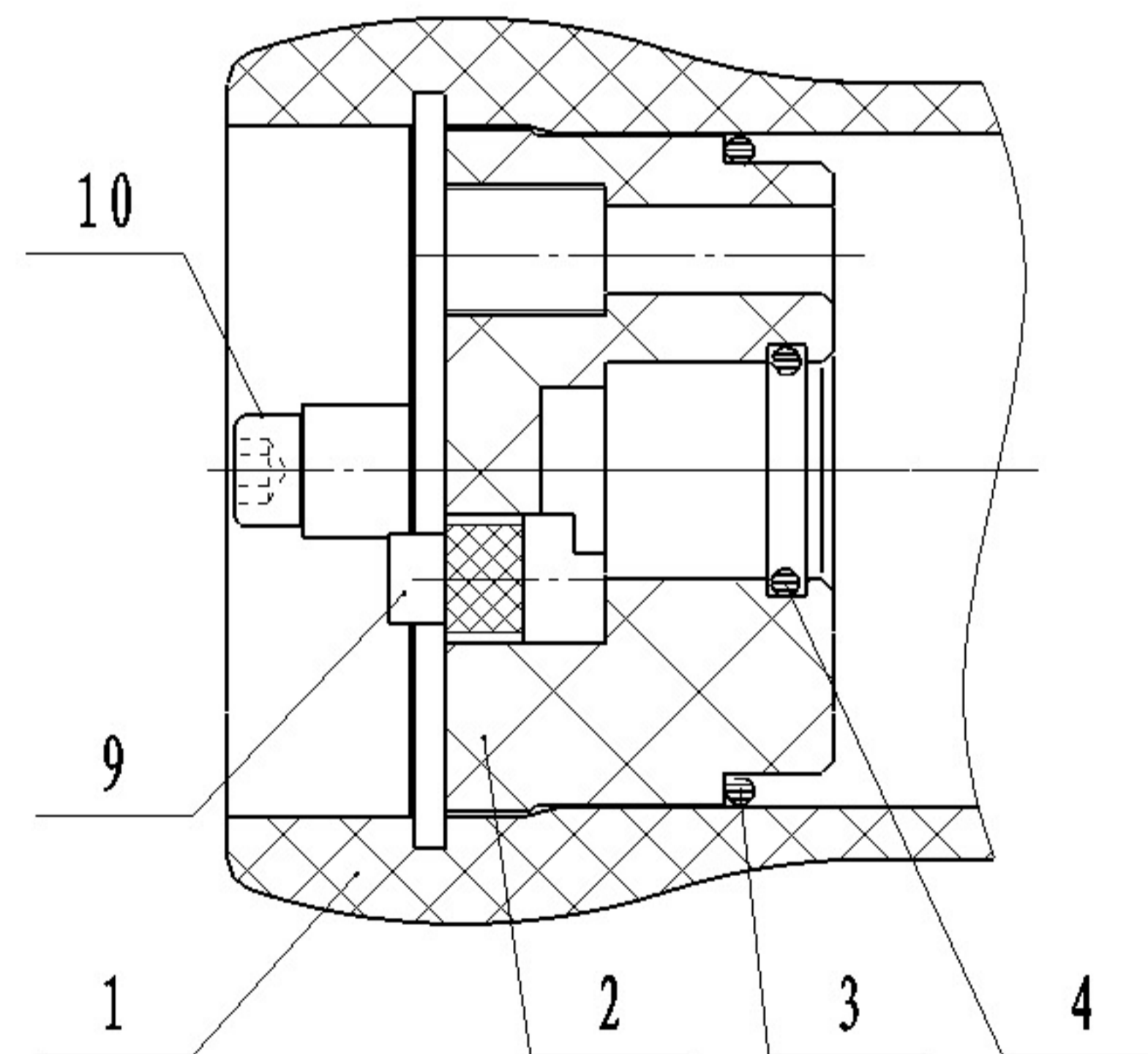
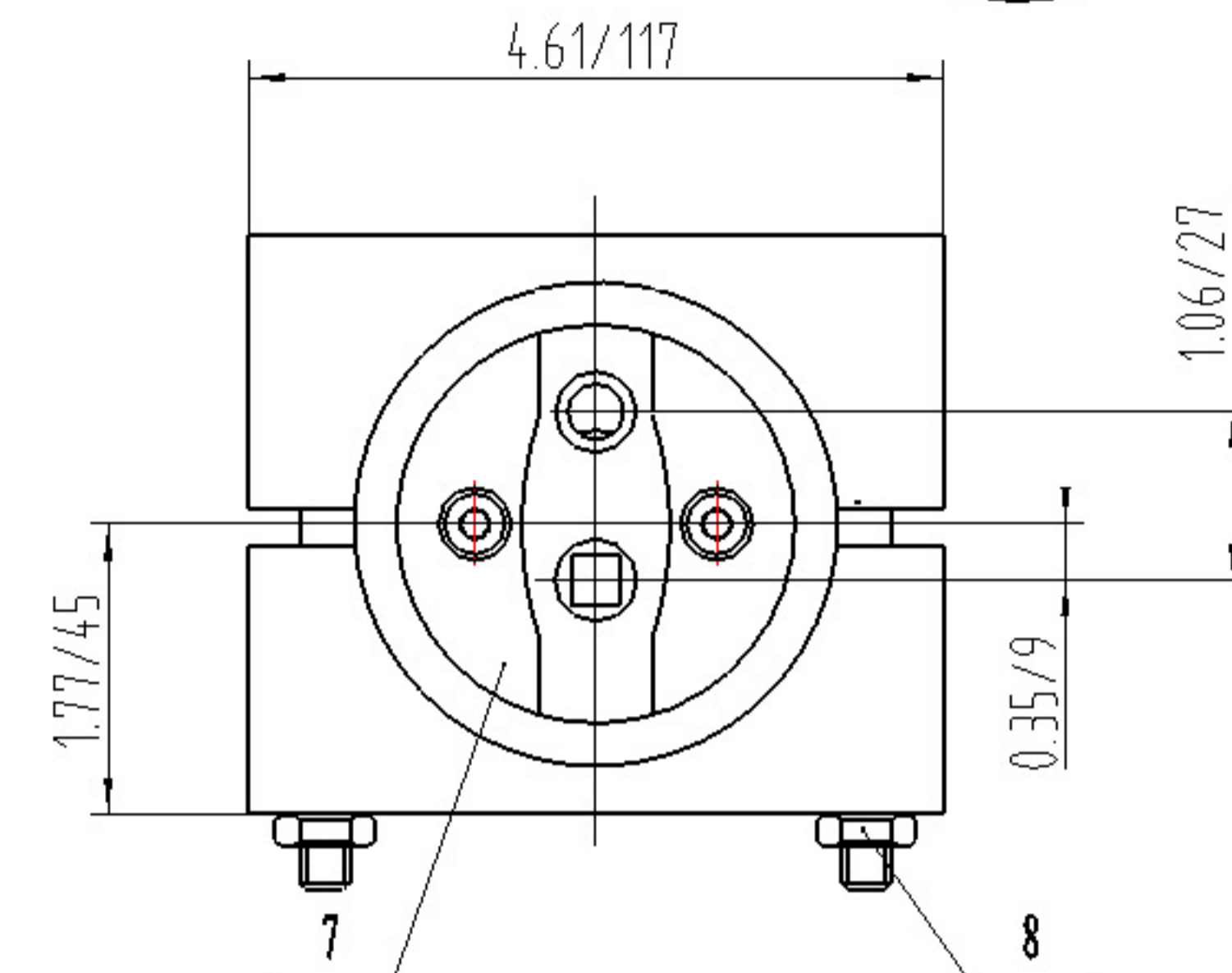
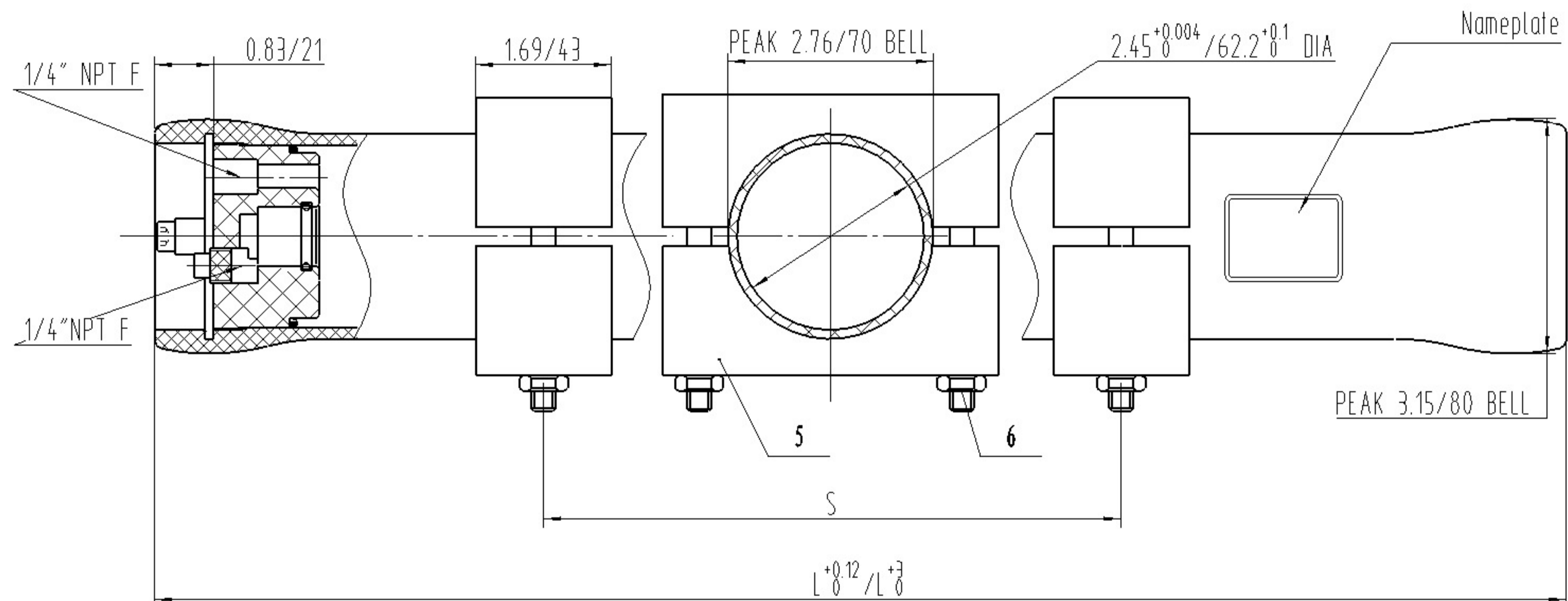


300
PSI



Ref.	Part Number	Description	Qty.	Material
1	2002	Pressure Shell(2540)	1	Epoxy FRP
	20021	Pressure Shell(2521)		
	20022	Pressure Shell(2514)		
2	2004	Endplug	2	ABS
3	2005	O-Ring	2	EPDM
4	4007	O-Ring	2	EPDM
5	2003	Saddle	4	NR
6	2007	Saddle Screw	4	304SST
7	2009	Locking Crescent	4	304SST
8	2008	Locknut	4	304SST
9	2011	Plug	1	ABS
10	2010	Locking Crescent Screw	4	304SST

WARNING:

1. UNIT OF MEASURE INCHES/MM.
2. DRAWING DIMENSIONS ARE FOR REFERENCE ONLY.
3. PRECAUTIONS, USAGE GUIDELINES, AND USER GUIDE INTEGRAL TO DRAWING.
4. SUBJECT TO CHANGE WITHOUT NOTICE.
5. INTERNAL PERMEATE PRESSURE NOT TO EXCEED 125PSI (0.88Mpa).

Shell length code	Shell number	L L. O. A IN/MM	S Span IN/MM	Approx assembly weight LB/KG
20022	2514	16.9/430	7.9/200	4.5/2
20021	2521	23.9/608	15.7/400	5/2.2
2002	2540	43/1091	27.6/700	6.8/3



HARBIN ROPV
INDUSTRY DEVELOPMENT CENTER

ENGR	JINGBO AN 2005/6/15	MODEL	R25B 300E	
QLTY	QIYUAN WANG 2005/6/16	DRG		
MAKT	YOUQING LI 2005/6/16			