

General Process Liquid Filled Pressure Gauges(205P Series)

Applications

- Shock & vibration application
- Non-corrosive gas, air, oil and water
- Hydraulic systems & machine tools
- Petrochemical processing equipment
- Pumps, compressors and regulators
- Media not attack to brass

Working Pressure

Steady : 3/4 of full scale value(recommendation : 25% to 75% of full scale)

Fluctuating : 2/3 of full scale value(recommendation : lower 50% of full scale)

Short time : full scale value

Operating Temperature

Ambient : -40 ~ 60°C

Media(Fluid) : -5 ~ 60°C



Standard Specification Overview

Dial Size

60mm(2.5")

75mm(3") & 100mm(4")

Reference Accuracy

60mm, 75mm & 100mm : $\pm 1.5\%$ of Full Scale

Scale Ranges *

60mm & 75mm : Vacuum, Compound & 0 ~ 0.1 to 0 ~ 35 MPa & 100mm

* For more information, see the ordering information table.

Standard Pressure Connection

60mm : PT("R" in ISO) 1/4"

75mm & 100mm : PT("R" in ISO) 3/8"

* Throttling hole designed in the pressure port. (60mm, 75mm & 100mm)

Material

Case : 304 SS

Ring(Cover) : 304 SS

Window : Glass

Pointer : Aluminum Alloy, Black Painted

Connection : Chrome Plated Brass

Element : Brass

Movement : Brass

Dial Plate : White Aluminum with Black Graduations

Liquid Filled : Glycerin(Silicone - Option)

Ring Type

Crimped

Degree of Protection

IP 65

Optional Extra

Code T1 : Test Report by Manufacturer

Code T2 : Test Report by KOLAS(ILAC-MRA)

Code C1 : Cleaning Service(USE NO OIL)

Code F4 : Liquid Filled(Silicone)

Special Notes

1. This series has been approved by **KS B 5305**(Korean Standard).

2. Other pressure connections are available as option.

Ordering Information for 205P Series

Model	Description	Case & Ring	Wetted Parts		
205P	General Process Liquid Filled Pressure Gauges	304 SS	Brass		
Code	Dial Size	Accuracy	205P		
25	60mm(2.5")	± 1.5% of F.S.	■		
30	75mm(3")	± 1.5% of F.S.	■		
40	100mm(4")	± 1.5% of F.S.	■		
Code	Mounting Type	25	30	40	
A	Bottom Connection without Mounting Flange	■	■	■	
B	Bottom Connection with Back Mounting Flange	■	■	■	
D	Center Back Connection without Mounting Flange	■	■	■	
F	Center Back Connection with 3-hole Front Mounting Flange	■	■	■	
Code	Process Connection Style	25	30	40	
2	PT("R" in ISO Standard)	■	■	■	
3	PF("G" in ISO Standard)	■	■	■	
4	NPT	■	■	■	
X ⁽¹⁾	Others	☎	☎	☎	
Code	Process Connection Size	25	30	40	
C	1/4"	■	■	■	
D	3/8"	■	■	■	
E	1/2"	■	■	■	
Code	Pressure Range	25	30	40	
001	-0.1 ~ 0 MPa	■	■	■	
002	-0.1 ~ 0.1 MPa	■	■	■	
003	-0.1 ~ 0.2 MPa	■	■	■	
004	-0.1 ~ 0.3 MPa	■	■	■	
005	-0.1 ~ 0.4 MPa	■	■	■	
006	-0.1 ~ 0.6 MPa	■	■	■	
007	-0.1 ~ 1.0 MPa	■	■	■	
008	-0.1 ~ 1.5 MPa	■	■	■	
009	-0.1 ~ 2.0 MPa	■	■	■	
111	0 ~ 0.05 MPa	NA	NA	■	
112	0 ~ 0.1 MPa	■	■	■	
113	0 ~ 0.2 MPa	■	■	■	
114	0 ~ 0.3 MPa	■	■	■	
115	0 ~ 0.4 MPa	■	■	■	
116	0 ~ 0.6 MPa	■	■	■	
118	0 ~ 1 MPa	■	■	■	
119	0 ~ 1.5 MPa	■	■	■	
120	0 ~ 2 MPa	■	■	■	
121	0 ~ 2.5 MPa	■	■	■	
122	0 ~ 3.5 MPa	■	■	■	
124	0 ~ 5 MPa	■	■	■	
126	0 ~ 7 MPa	■	■	■	
127	0 ~ 10 MPa	■	■	■	

128	0 ~ 15 MPa	■	■	■
129	0 ~ 25 MPa	■	■	■
130	0 ~ 35 MPa	■	■	■
132	0 ~ 50 MPa	■	■	■
134	0 ~ 70 MPa	■	■	■

* MPa(SI Unit) is the standard dial scale but others are available upon request.

Code	Applicable Accessory Options
J0	Not Apply
J1	Adapters
J3	Syphon Tubes
J8	Instrument Valves

Code	Options	25	30	40
	Test Reports			
T1	Test Report by Manufacturer	★	★	★
T2	Test Report by KOLAS(ILAC-MRA)	★	★	★
	Other Option			
C1	Cleaning Service(USE NO OIL)	★	★	★
F4	Liquid Filled(Silicone)	★	★	★

Sample Model Selection : 215P25A2C116J0T1

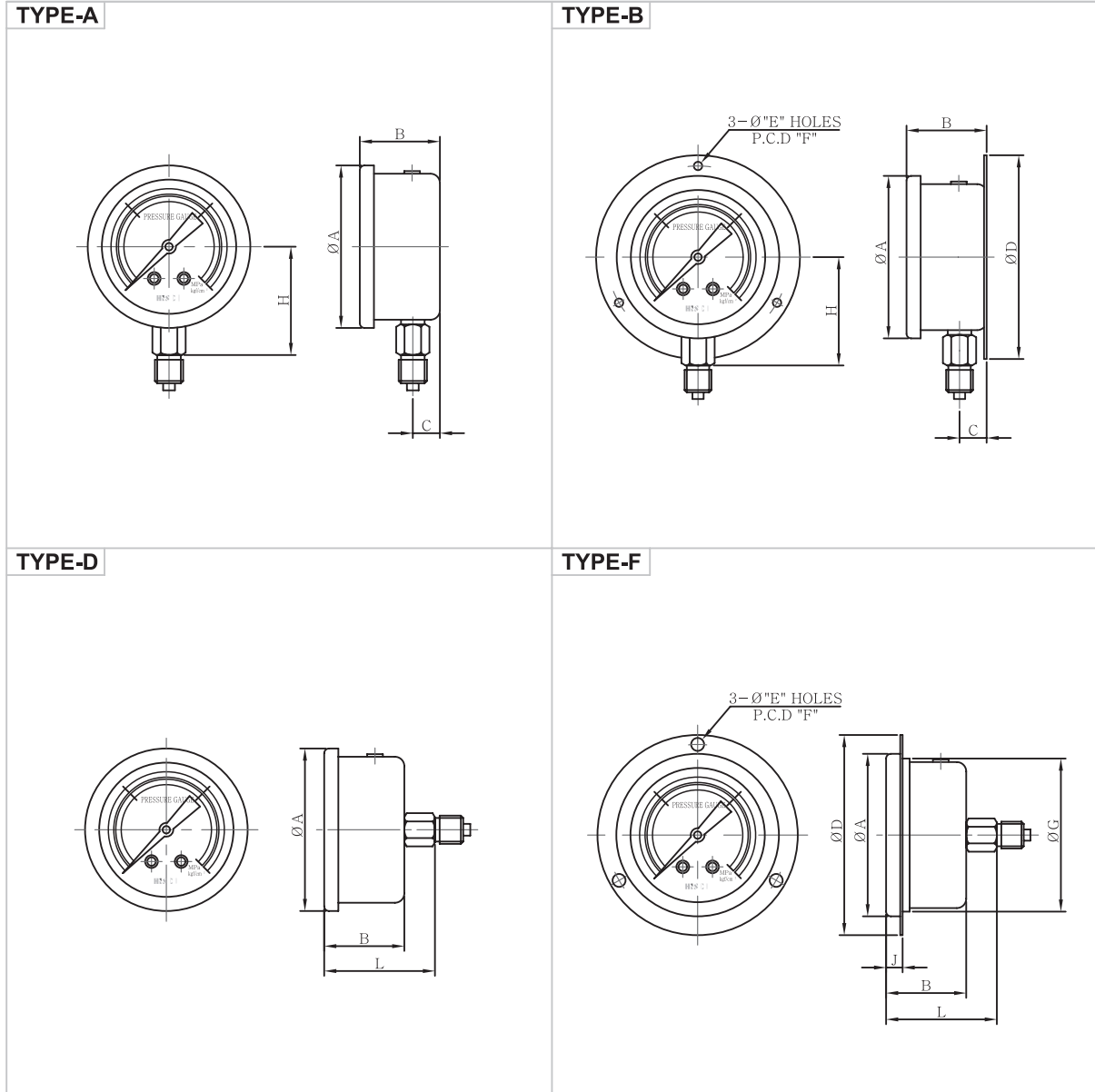
Note 1. Other connection styles are available on request.

Note 2. On selecting of accessory option, excluding J0, go to Accessory Model(PA XXX) for the detail selection.

■ = Standard Products ★ = Available NA = Not Available

*The standard specification and price are subject to change without prior notice.

■ General Process Liquid Filled Pressure Gauges(205P Series)



Code	Dial Size	(Available Type)	A	B	C	D	E	F	G	H	L	J
25	ø60	A,B(D,F)	69	32(34)	10	85	4.5(4.3)	78(77)	65	45	48	7
30	ø75	A,B(D,F)	85	33(37)	11	103	5.5	93.5	80	58	53	7
40	ø100	A,B(D,F)	110	38	11		5.5	114(124)	103	69	52	7